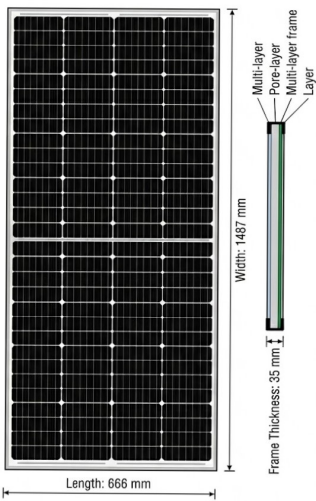




WWW.RESUNSOLAR.COM



RSM180M

RSM180M is a robust solar module with 36 solar cells. These modules can be used for on-grid solar applications. Our meticulous design and production techniques ensure a high-yield, long-term performance for every module produced. Our rigorous quality control and in-house testing facilities guarantee Resun Solar's modules meet the highest quality standards possible.

36 Cells

Mono-crystalline

180W

Power output

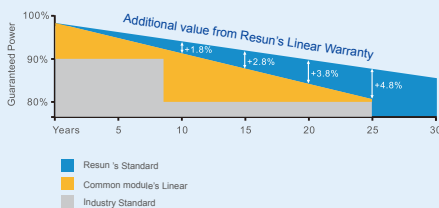
18.18%

The Highest Efficiency

0~+5W

Tolerance

**0.5% Annual Degradation
over 30 years**



High module conversion efficiency (up to 18.18% , through superior manufacturing technology)



Guaranteed 0~+5W positive power output tolerance ensures high reliability



Anti-reflective, hydrophobic coating improves light absorption and reduces surface dust



Excellent performance under low light environments (mornings, evenings and cloudy days)



Suitable for harsh environments, such as coasts, deserts and lakes. Withstand high level of wind loads (2400pa) and snow loads (5400pa)

Full range of products and certification systems

ISO 9001 TUV PID-FREE CE IEC61215/61730/61701/62716



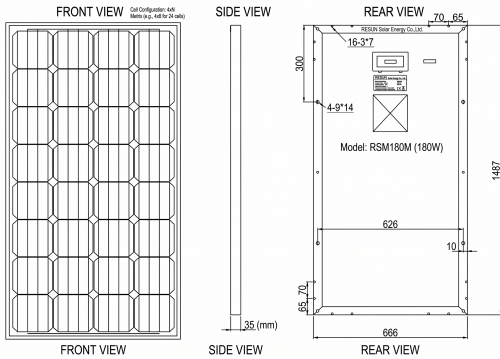
LINEAR PERFORMANCE WARRANTY
12 year Product Warranty / 30 year Linear Power Warranty

RSM180M



GLOBAL PROFESSIONAL PV PRODUCTS INTERGRATED SOLUTIONS SUPPLIER

Dimension of PV Modules Unit: mm



ELECTRICAL DATA(STC)

Rated Power in Watts-Pmax(Wp)	180W
Open Circuit Voltage-Voc(V)	23.00V
Short Circuit Current-Isc(A)	10.09A
Maximum Power Voltage-Vmp(V)	19.04V
Maximum Power Current-Imp(A)	9.46A
Module Efficiency (%)	18.18%

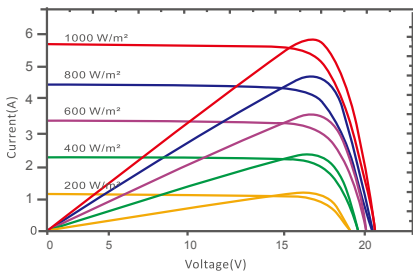
STC: Irradiance 1000 W/m², Cell Temperature 25°C, Air Mass AM1.5 according to EN 60904-3.

ELECTRICAL DATA(NOCT)

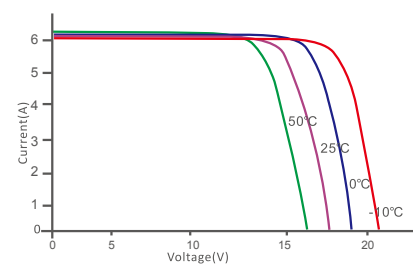
Maximum Power-Pmax (Wp)	133W
Open Circuit Voltage-Voc (V)	21.26V
Short Circuit Current-Isc (A)	8.15A
Maximum Power Voltage-Vmp(V)	18.17V
Maximum Power Current-Imp(A)	7.36A

NOCT: Irradiance at 800 W/m², Ambient Temperature 20°C, Wind Speed 1 m/s.

I-V characteristics at different irradiances



I-V characteristics at different temperature



MECHANICAL DATA

Solar cells	Mono-crystalline 156x156mm 4 or 5 Bus bars
Cell configuration	36Cells 4x9
Module dimensions	1487x666x35mm
Weight	11KGS
Front Cover	3.2mm Tempered Glass
Frame Material	Anodized Aluminum Alloy
J-BOX	IP65 or IP67, 6 Diodes
Cable	4mm2(IEC)/12AWG(UL),900mm
Connectors	MC4 or MC4 Comparable
Standard Packaging	2pcs/suite box

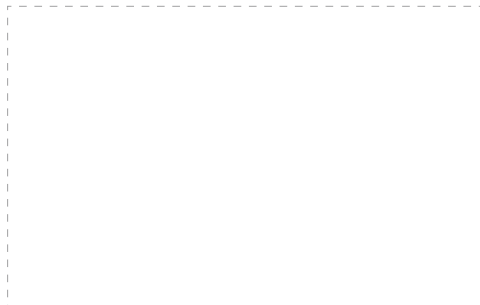
TEMPERATURE & MAXIMUM RATINGS

Nominal Operating Cell Temperature (NOCT)	45°C±2°C
Temperature Coefficient of Voc	-0.32%/°C
Temperature Coefficient of Isc	0.05%/°C
Temperature Coefficient of Pmax	-0.39%/°C
Operational Temperature	-40~+85°C
Maximum System Voltage	1000V(IEC)/600V(UL)
Max Series Fuse Rating	15A
Limiting Reverse Current	15A

PACKAGING CONFIGURATION

	40HQ	20GP
Number of modules per container	660pcs	336pcs
Package	2pcs/suite box	2pcs/suite box
Package Weight	24kg/suite box	24kg/suite box
Package Number	330suite boxes	168suite boxes
Package Dimension	1507*686*170mm/suite box	1507*686*170mm/suite box

Partner information



A: No 15 Puzhuang Avenue, Wuzhong District, Suzhou, Jiangsu Chian, 21500
 F: +86512-66292101 T: +86 512-66293858
 W: www.resunsolar.com E: info@resunsolar.com